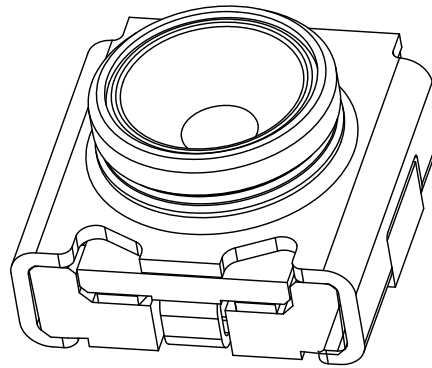
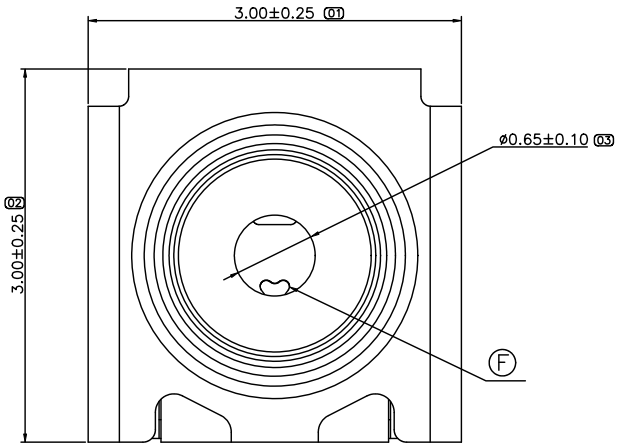


A3

REV	ECN NO	DESCRIPTION	DATE	APPD
A	ECN1006068	INITIAL EDITION	2010.03.11	Hansen Kao
B	ECN1006110	CHANGE P/N	2010.06.23	Ford Liu
C	ECN1112117	CHANGE PCB LAYOUT	2011.12.31	Ford Liu
D	ECN1209166	CHANGE SHELL	2012.09.28	Ford Liu
E	ECN1305110	CHANGE HOUSING AND TERMINAL	2013.05.22	Bill Zheng
F	ECN1403020	CHANGE TERMINAL	2014.03.12	Bill Zheng



NOTE:

- MATERIALS:
 - HOUSING: THERMOPLASTIC, UL94 V-0, COLOR: BLACK;
 - COVER: THERMOPLASTIC, UL94 V-0, COLOR: BLACK;
 - TERMINAL-A: STAINLESS STEEL, T=0.06±0.01;
 - TERMINAL-B: COPPER ALLOY, T=0.10±0.01;
 - SHELL: COPPER ALLOY, T=0.15±0.01;
- FINISH:
 - TERMINAL-A: 3u" Min. GOLD PLATING ON CONTACT AREA OVER 30u" Min. NICKEL UNDERPLATING;
 - TERMINAL-B: 3u" Min. GOLD PLATING ON CONTACT AREA OVER 30u" Min. NICKEL UNDERPLATING;
 - SHELL: 50u" Min Ag PLATING ALL OVER; 30u" Min. NICKEL UNDERPLATING;
- PERFORMANCE:
 - RATINGS:
 - VOLTAGE RATING: 250V AC
 - SERVICE TEMPERATURE: -40°~+90°
 - STORAGE TEMPERATURE: -10°~+40°
 - INSULATION RESISTANCE: 500MOHM Min.

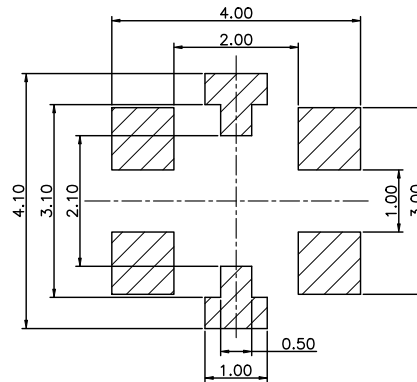
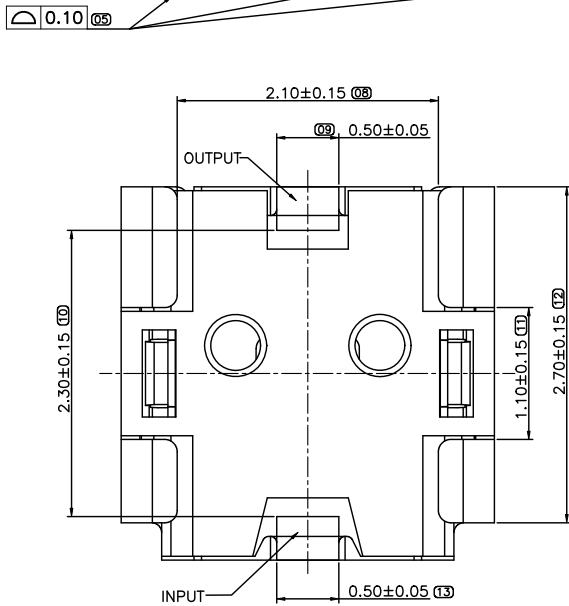
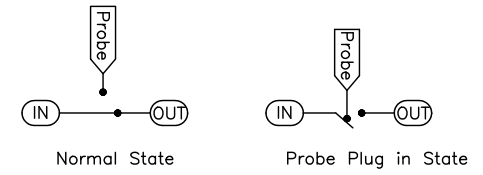
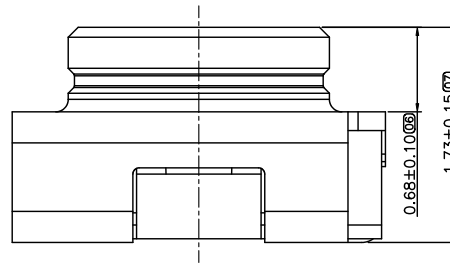
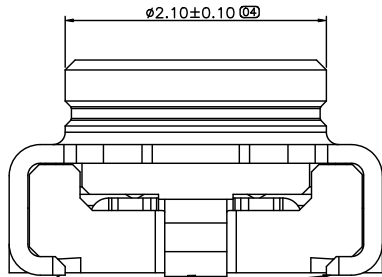
A

B

C

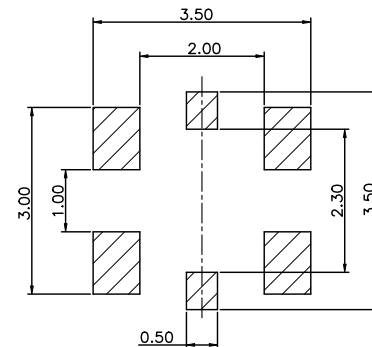
D

E



RECOMMENDED PCB LAYOUT
(TOLERANCE: ±0.03)

SCALE: 1:2

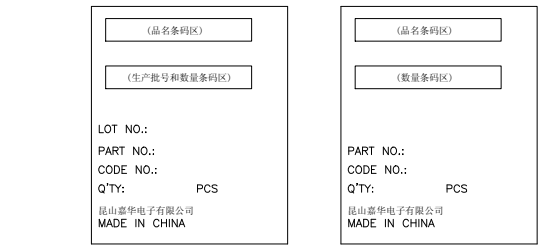
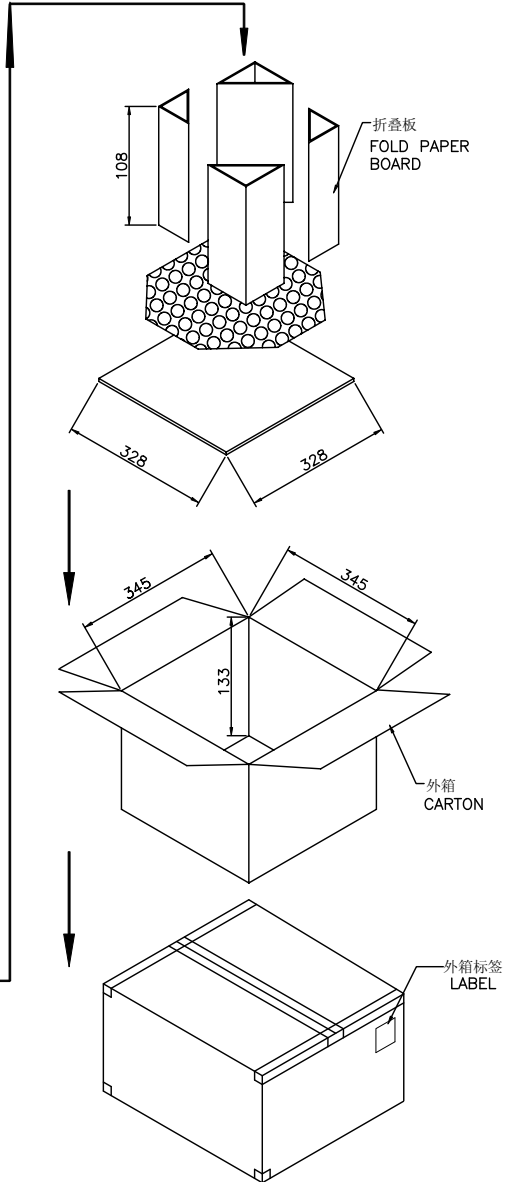
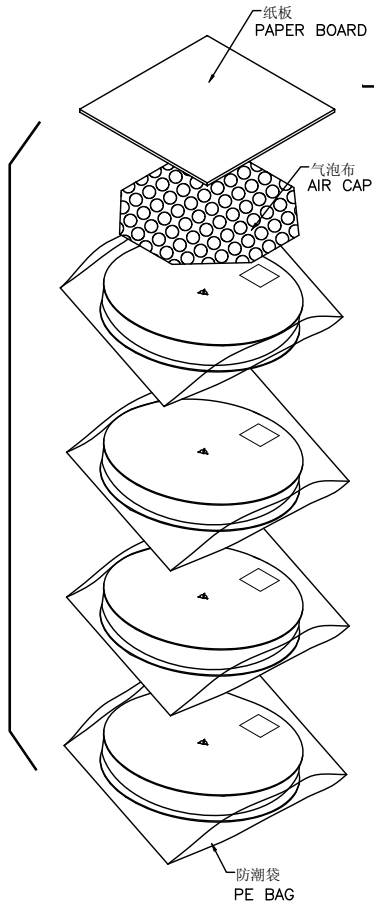
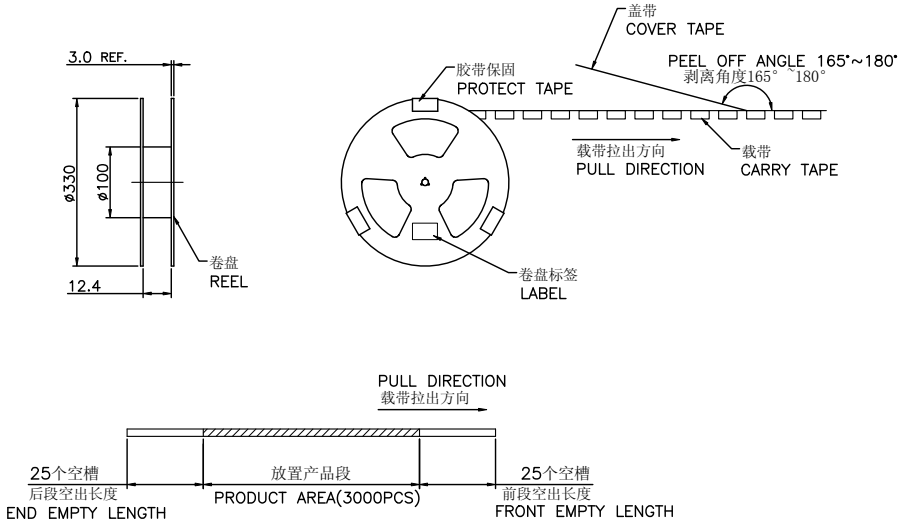
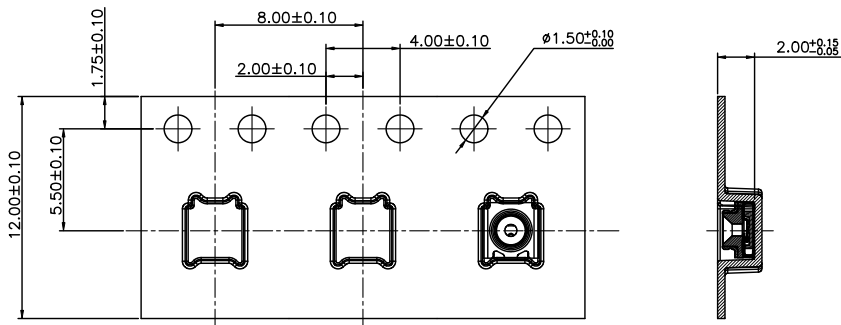


RECOMMENDED STENCIL MASK PATTERN
(TOLERANCE: ±0.03)
THICKNESS: 0.12mm

SCALE: 1:2

EXTEND USE		TITLE			
RF SWITCH 3*3 CONNECTOR		7.006A1 CONNECTOR CUSTOMER DRAWING			
GENERAL TOLERANCE (D)		MATERIAL		APPD	
DIMENSION		ANGLES		CHD	
FINISHED		DRN		SHEET	
UNIT		QTY		SCALE	
REVISION		DATE		REV	

REV	ECN NO	DESCRIPTION	DATE	APPD
		SEE SHEET 1/2		



1: 包装内容
INFORMATIONS OF THE PACKING

料号 (P/N)	一卷包装数量 Q'TY/REEL	一箱包装数量 Q'TY/CARTON
7.006A1-000-1R0	3000PCS	12000PCS

EXTEND USE	TITLE	
RF SWITCH 3*3 CONNECTOR	7.006A1 CONNECTOR CUSTOMER PACKING	
UNIT mm	APPD	DWG NO
GENERAL TOLERANCE	Bill Zheng 2014.03.12	C-7.006A1-P
DIMENSION	CHD	P/N:
.0 ±0.30	David Wang 2014.03.12	7.006A1-000-1R0
.0 ±0.25	DRN	SHEET
.00 ±0.20	Tony Tai 2014.03.12	2/2
.000 ±0.10		SCALE
ANGLES		1:1
.0 ±3'		REV
.0 ±2'		F
.00 ±1'		