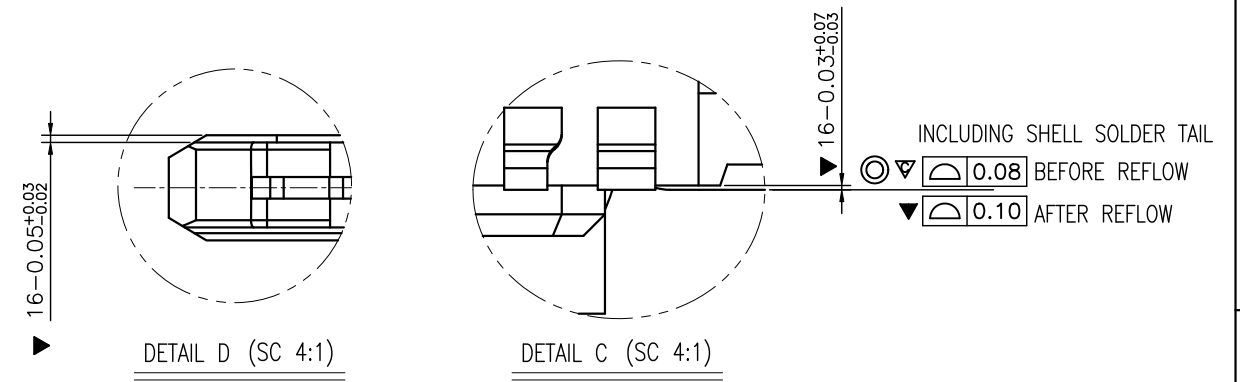
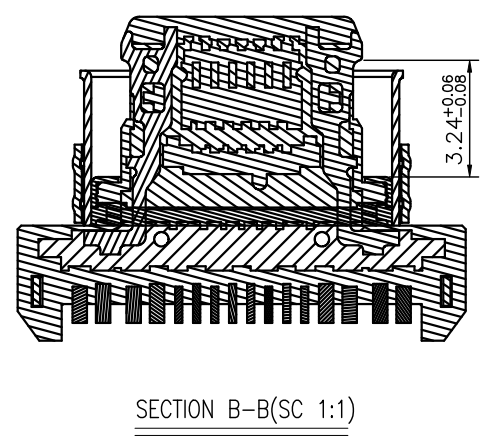
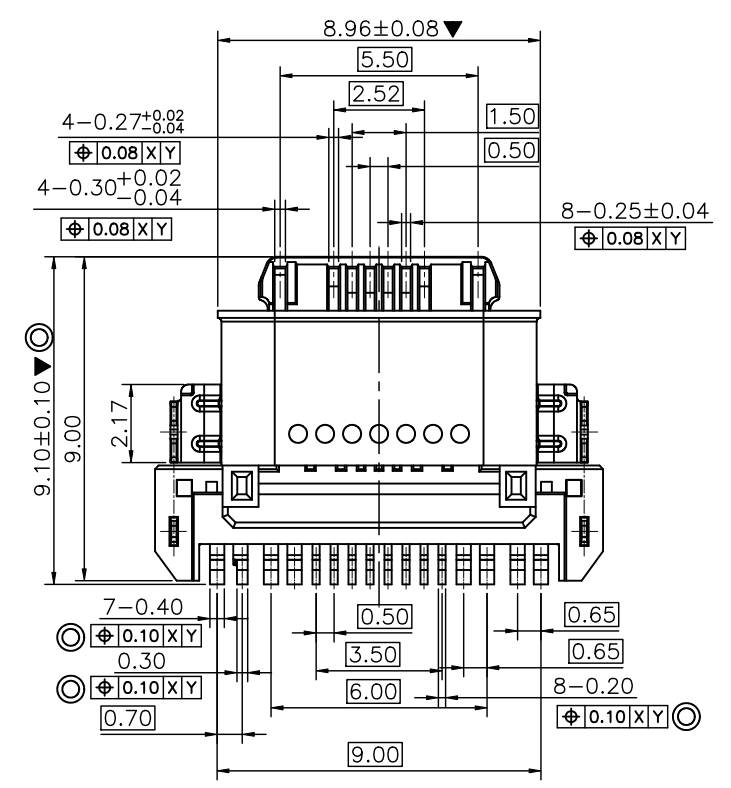
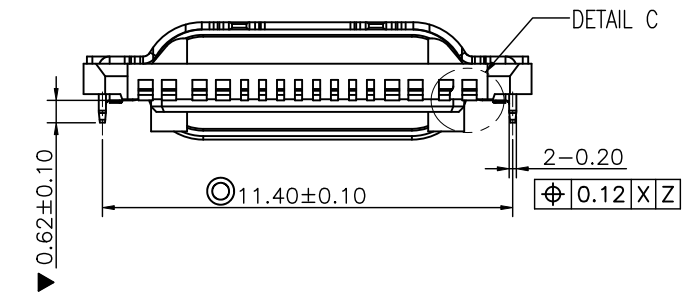
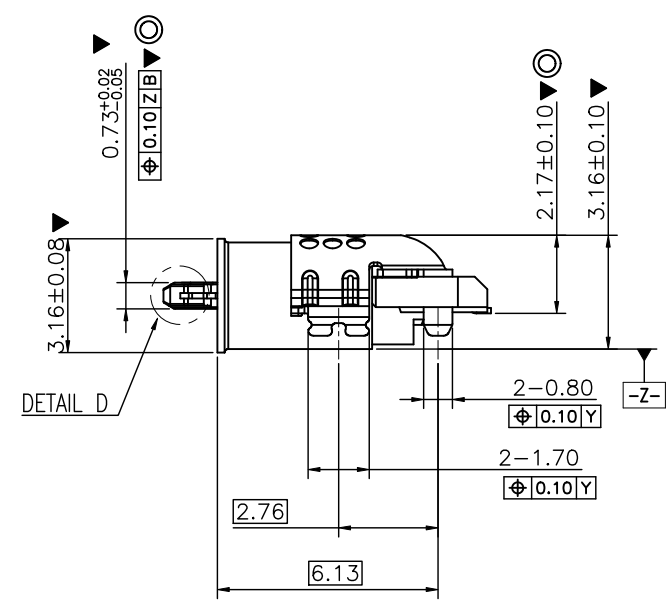
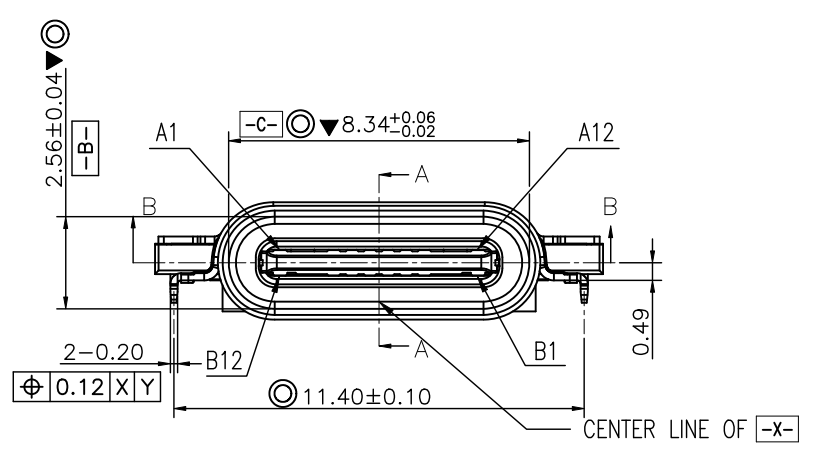
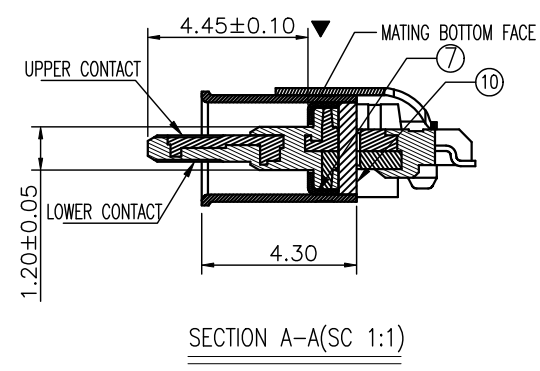
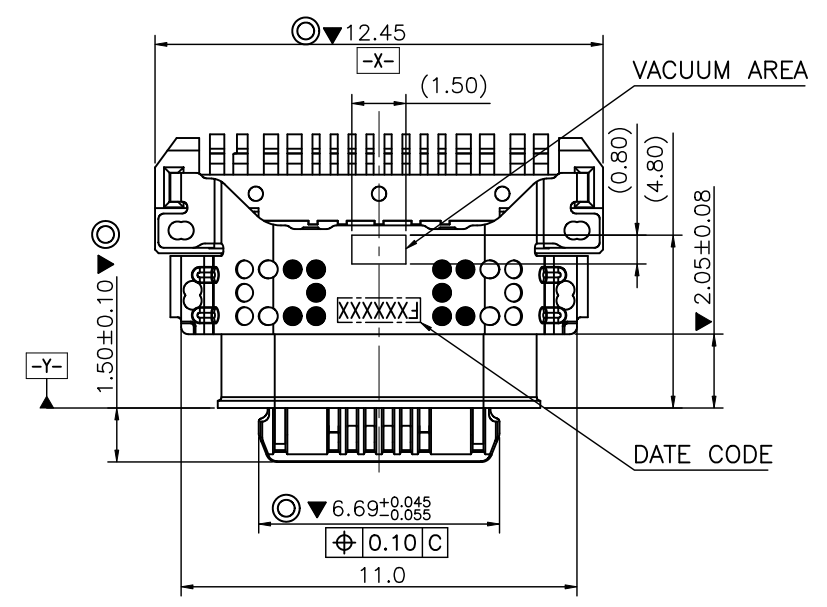


A3

REV	ECN NO	DESCRIPTION	DATE	APPD
X1	ECN20040**	初版发行.	2020.04.03	张佳华
X2	ECN20040**	Layout前DIP脚2个焊盘PAD内侧单边加宽0.20mm	2020.04.07	张佳华
X3	ECN20040**	添加B12 PIN脚定义:GND OR DETECTION PIN	2020.04.10	张佳华
X4	ECN20040**	更新上壳焊点位置.	2020.04.16	张佳华
X5	ECN20050**	更新上壳焊点位置和端子材质型号及胶水厂商型号.	2020.05.21	张佳华
X6	ECN20060**	新增16PIN全镀金料号.	2020.06.02	张佳华
X7	ECN20060**	外壳增加凸点变更	2020.06.25	张佳华



品质管控等级及要求			EXTEND USE	TITLE	FIF.
符号	等级	产品管控要求	16PIN TYPE-C REC CONN	3.125A0 CONN. Customer Drawing	
▼	重点要求	巡检, 定义检验频率	GENERAL TOLERANCE	APPD	C-3.125A0
▽	特殊特性要求	Cpk>1.33	DIMENSION	CHD	P/N:
◎	全检要求	自动机全检	ANGLES	DRN	SEE NOTE 6
			. ±0.30	DRN	SHEET
			.0 ±0.20	DRN	SCALE
			.00 ±0.10	DRN	1/3
			.000 ±0.05	DRN	1:1
				DRN	REV
				DRN	X7

A3

REV	ECN NO	DESCRIPTION	DATE	APPD

NOTES 1:

1.ELECTRICAL CHARACTERISTICS:

- 1.1 CURRENT RATING: VBUS AND GND CONTACTS RATED PARALLELED FOR A TOTAL OF 4.2A MAX.
- 1.2 TEMPERATURE RANGE: -40 °C ~ 85 °C
- 1.3 CONTACT RESISTANCE: 40 MILLIONHM MAX.
- 1.4 DIELECTRIC WITHSTANDING VOLTAGE: 500 VAC FOR 1MINUTE 0.2mA
- 1.5 INSULATION RESISTNACE: 1000 MEGOHMS MIN.

2.MECHANICAL CHARACTERISTICS

- 2.1 EXTRACTION FORCE:  
MATING FORCE: 5N-17N ,UNMATING FORCE: 8N-17N .
- 2.2 DURABILITY:10,000CYCLES.
- 2.3 内壳焊接后剥离强度20kgf Min.

3.ENVIROMENTAL SUBSTANCE CONTROL SHOULD COMPLY WITH FAF JH-GP-213'S SPECIFICATION;

4. HOUSING FLASH: 0.10 MM MAX,METAL BURR:0.05 MM MAX.

5. THE DIMENSION MARKED "▼" SHOULD BE CKECKED BY Q,C.

THE DIMENSION MARKED"▽" SHOULD BE CPK CONTROL.

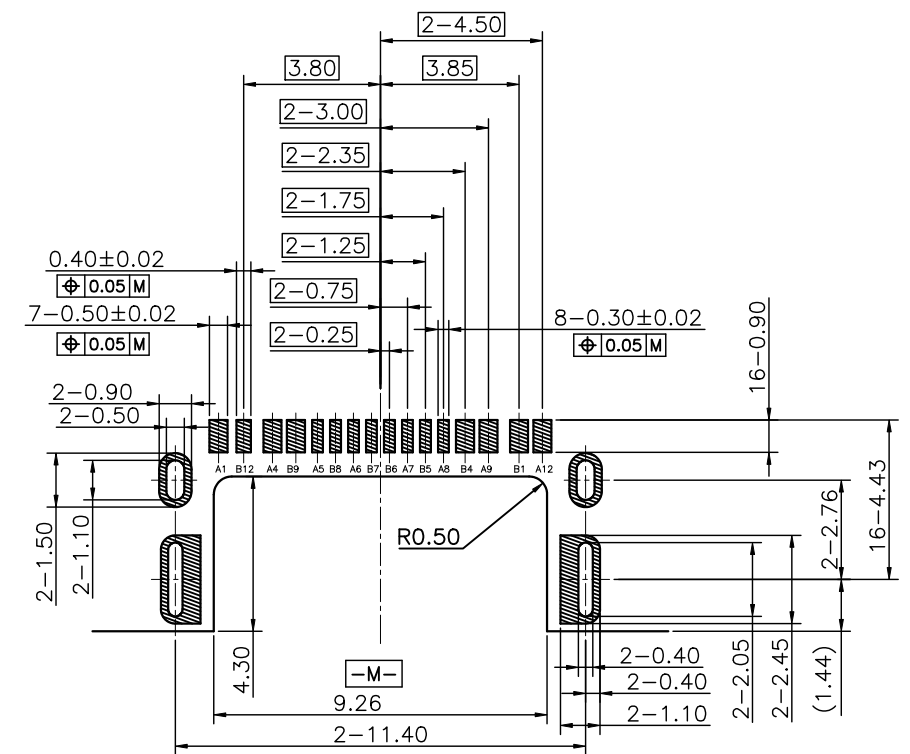
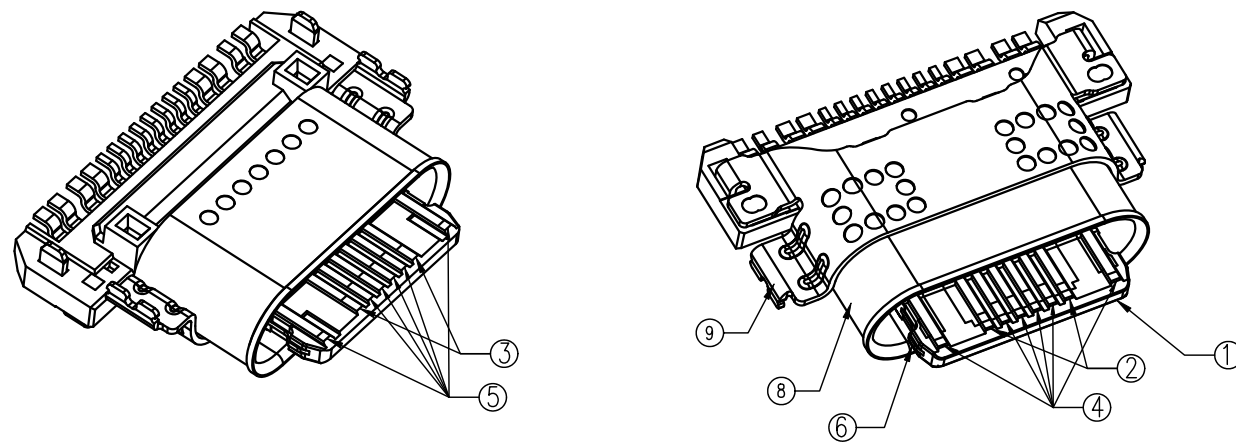
6. P/N DEFINITION:

3.125A0-016-VR0	WITHOUT O-RING	CONTACT: 4PIN-V1+12PIN-Au
3.125A0-016-7R0	WITHOUT O-RING	CONTACT: 16PIN-Au

PIN ASSIGNMENTS

No.	NAME	DESCRIPTION
A1	GND	GROUND RETURN
A4	VBUS	BUS POWER
A5	CC1	CONFIGURATION CHANNEL
A6	DP1	POSITIVE HALF OF USB2.0 DIFFERENTIAL PAIR-POSITION1
A7	DN1	POSITIVE HALF OF USB2.0 DIFFERENTIAL PAIR-POSITION1
A8	SBU1	SIDEBAND USE(SBU)
A9	VBUS	BUS POWER
A12	GND	GROUND RETURN

No.	NAME	DESCRIPTION
B12	SBU	GROUND RETURN OR DETECTION PIN
B9	VBUS	BUS POWER
B8	SBU2	SIDEBAND USE(SBU)
B7	DN2	NEGATIVE HALF OF USB2.0 DIFFERENTIAL PAIR-POSITION2
B6	DP2	POSITIVE HALF OF USB2.0 DIFFERENTIAL PAIR-POSITION2
B5	CC2	CONFIGURATION CHANNEL
B4	VBUS	BUS POWER
B1	GND	GROUND RETURN

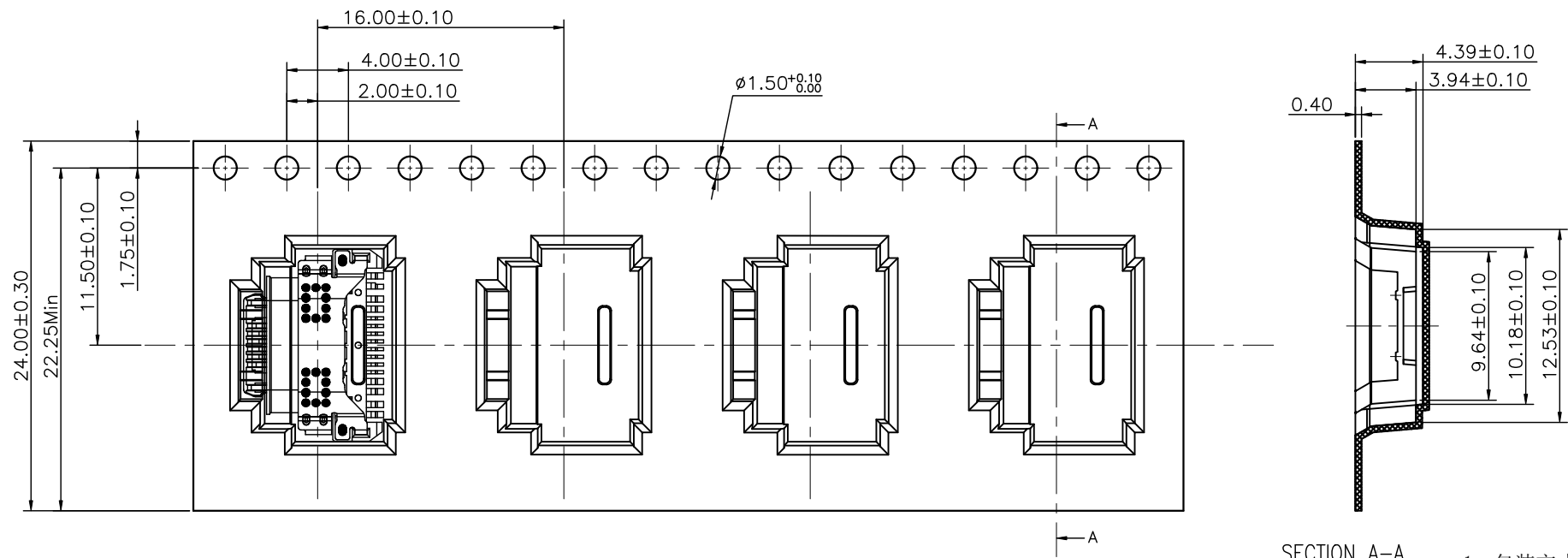


RECOMMENED PCB LAYOUT(T=0.50)  
SCALE: 1:1(GENERAL TOLERANCE±0.05)

10	GLUE	1PCS	8915(宏进)	BLACK
9	UPPER_SHELL	1PCS	SUS301-3/4H, T=0.20mm	50~150u''Min.NICKEL OVER ALL SOLDER AREA: 2~8u''Au PLATING (DOUBLE SIDE)
8	INNER_SHELL-2	1PCS	SUS316L-3/4H, T=0.20mm	50~150u''Min.NICKEL OVER ALL
7	INNER_SHELL-1	1PCS	SUS316L-3/4H, T=0.15mm	50~150u''Min.NICKEL OVER ALL
6	MID PLATE	1PCS	SUS301-H, T=0.15mm HV440-470	50~150u''Min.NICKEL OVER ALL
5	LOWER CONTACT-2 (6PIN B1-B12)	1SET	C18150-H (EFTEC-550T) T=0.15mm, Ra<0.1	Ni 80u''Min CONTACT AREA: 30u''Au MIN PLATING SIDE/BACK AREA: 5u''Au MIN PLATING SOLDER AREA: 2~8u''Au PLATING
4	UPPER CONTACT-2 (6PIN A1-A12)	1SET		(3.125A0-016-7R0) Ni 80u''Min CONTACT AREA: 30u''Au MIN PLATING SIDE/BACK AREA: 5u''Au MIN PLATING SOLDER AREA: 2~8u''Au PLATING
3	LOWER CONTACT-1 (2PIN B4,B9)	1SET		Ni 80u''Min CONTACT AREA: V1 PLATING SIDE/BACK AREA: V1 PLATING SOLDER AREA: 2~8u''Au PLATING
2	UPPER CONTACT-1 (2PIN A4,A9)	1SET		
1	HOUSING	1PCS	PA46 HFX33S,UL 94V-0	BLACK
NO.	PARTS NAME	QTY	MATERIAL	FINISH

EXTEND USE		TITLE		FAF	
16PIN TYPE-C REC CONN		3.125A0 CONN. Customer Drawing		DWG NO C-3.125A0	
GENERAL TOLERANCE		APPD		P/N: SEE NOTE 6	
DIMENSION		QTY		SHEET	
ANGLES		FINISHED		SCALE	
. ±0.30	. ±3'	DRN		REV	
.0 ±0.20	.0 ±2'	DRN		X7	
.00 ±0.10	.00 ±1'	DRN		X7	
.000 ±0.05		DRN		X7	

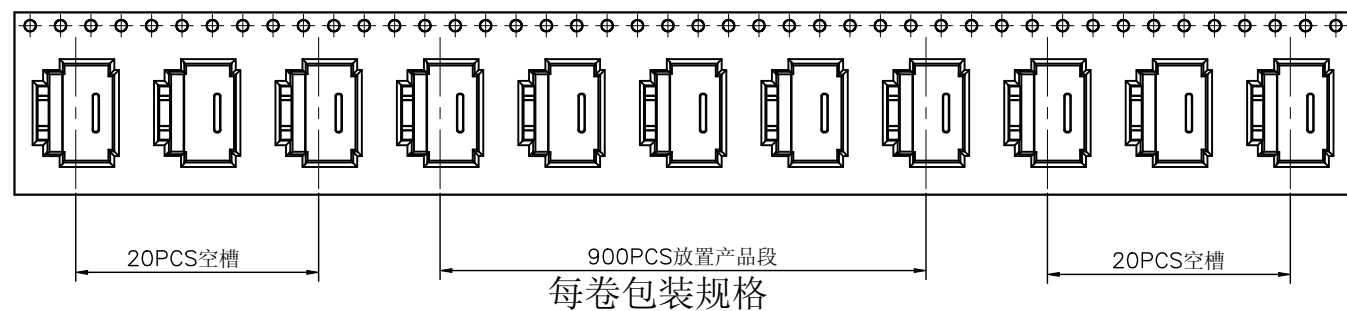
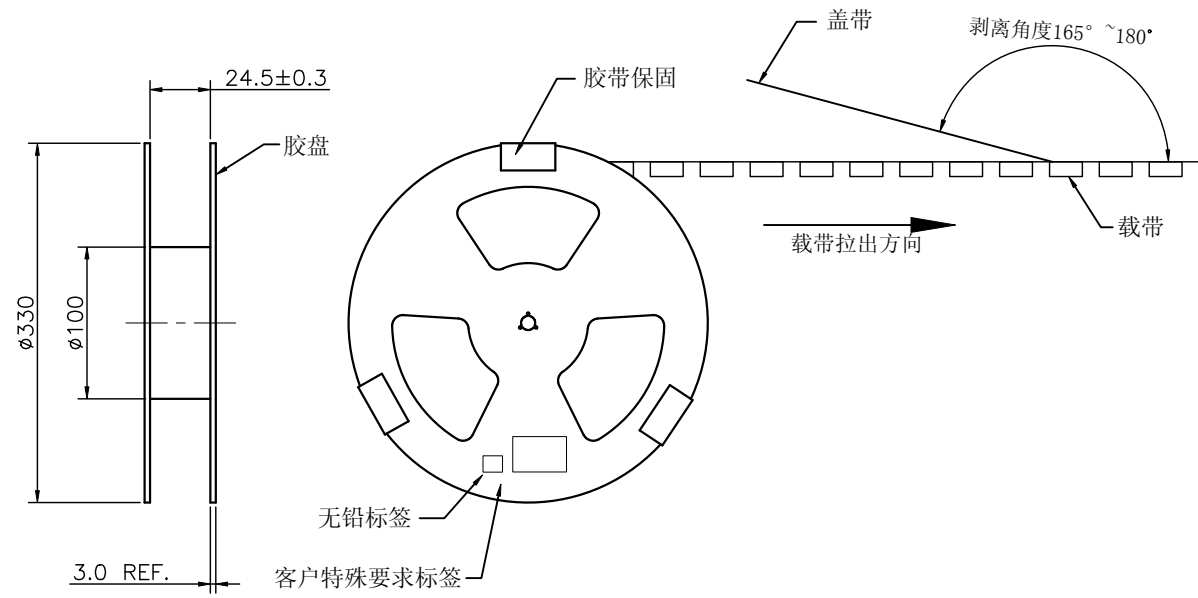
1	2	3	4	5	6	7	8
A3							
REV	ECN NO	DESCRIPTION			DATE	APPD	



SCALE 1/2

SECTION A-A

- 包装方式:
  - 使用自动包装机, 先将载带送入导轨中, 再用盖带贴合在上面其中初始20个槽不放置产品, 然后将产品如图示依次放入槽中, 每槽放置1PC产品, 每卷共装900PCS产品, 最后需留20个槽不放置产品;
  - 用胶带将载带粘在一起, 外围再用PE带缠绕一圈保固, 并用3PCS胶带将卷盘的两边粘上保固, 再贴上标签, 标签内容要清晰完整;
  - 将卷盘装入防潮袋, 再放置2PCS干燥剂, 并抽出袋内空气, 最后用热封机将防潮袋封好, 不可漏气。
  - 如图示在外箱底部先放入1PC纸板和1PC气泡布, 将6PCS已装好产品的卷盘以标签朝上的方式平放入外箱中, 然后在外箱的四角放入折叠板, 最后在卷盘上放置1PC气泡布和1PC纸板;
  - 外箱用胶带成工字形封箱, 贴上外箱标签, 清晰完整地填写相关内容; 若产品包装不满一整箱时, 需在外箱标签下方加贴1PC尾数箱标签, 整箱则无需贴此标签。
  - 一栈板最多放置5层外箱, 每层放9箱(3X3), 在堆叠好外箱的八个棱角用边条保护, 再缠绕保鲜膜10层。
- 注意事项:
  - 防止漏装, 防止异物装入, 禁止碰歪产品锡脚;
  - 盖带与载带剥离力: 30~90gf, 剥离角度165°~180°, 剥离速度300mm/min;
  - 来料、生产及包装运输过程必须满足FAF JH-GP-213《环境管理物质限用作业程序》要求
- BOM(一箱用量)



名称	FAMFULL P/N	SPEC.	Q' TY
产品	3.125A0-016-VRO	USB TYPE C 16 PIN (WITHOUT O-RING)	6卷/箱
	3.125A0-016-7RO	USB TYPE C 16 PIN (WITHOUT O-RING)	6卷/箱
卷盘	U.014RB-004-002	直径330mm, 内径100mm, 宽度32mm	900/卷
外箱	U.003CZ-007-001	L345*W345*H215	1PCS
防潮袋	U.000BZ-027-004	500*420	6PCS
纸板	U017CZ-010-001	345mm*345mm*3mm	2PCS
气泡布	U000SZ-009-004	345*345mm, T=13mm	2PCS
折叠板	U012CZ-002-001	155*102*102*130	4PCS
卷盘标签	U.001LW-000-001		6PCS
外箱标签	U.001LW-001-001		1PCS
干燥剂			2PCS

EXTEND USE	TITLE	FAF	
16PIN TYPE-C REC CONN	3.125A0 CONN.	DWG NO	
UNIT mm	Customer Drawing	C-3.125A0	
GENERAL TOLERANCE	APPD	P/N:	
DIMENSION	QTY	SEE NOTE 6	
ANGLES	FINISHED	DRN	
. ±0.30	DRN	SHEET	
.0 ±0.20	DRN	SCALE	
.00 ±0.10	DRN	1:1	
.000 ±0.05	DRN	REV	
	DRN	X7	